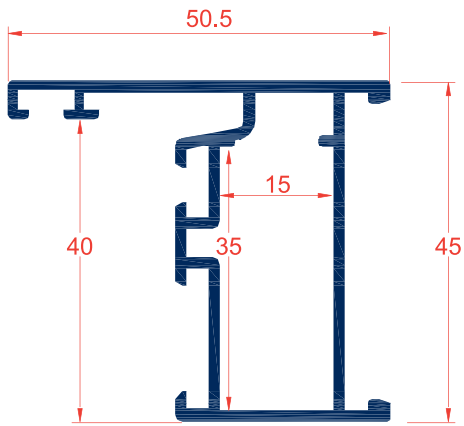


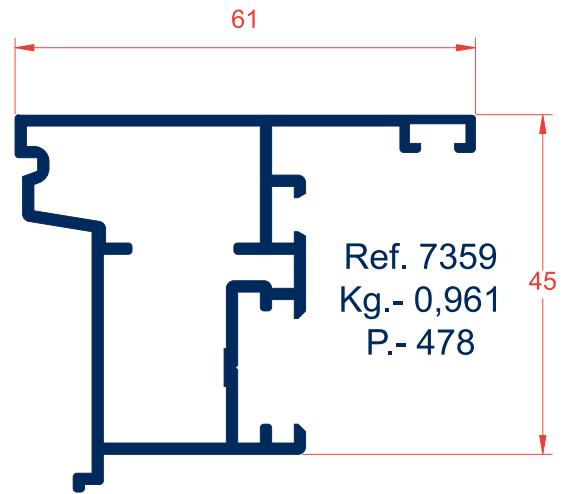


7.- PRO - 45

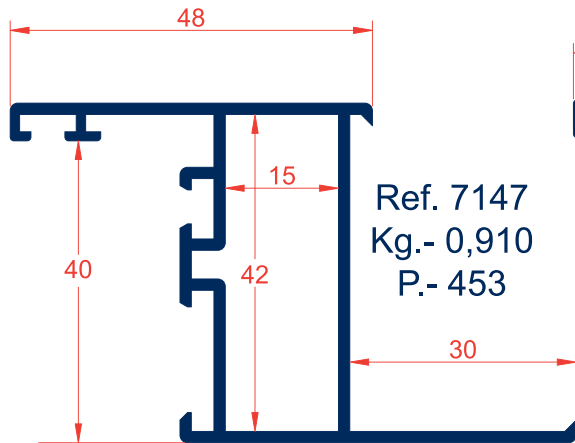
PRO - 45



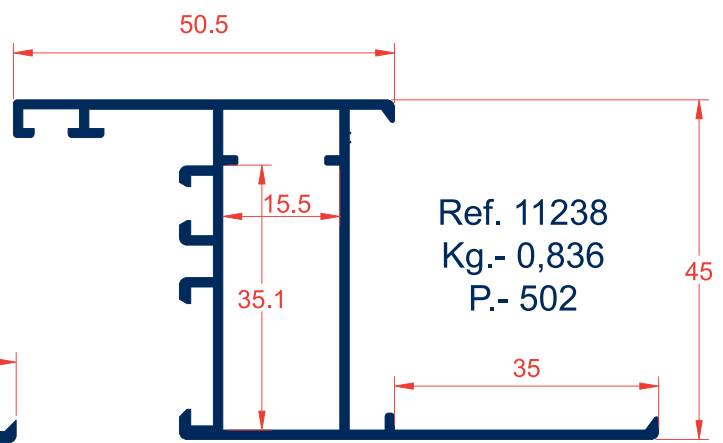
Ref. 11152
Kg.- 0,845
P.- 428



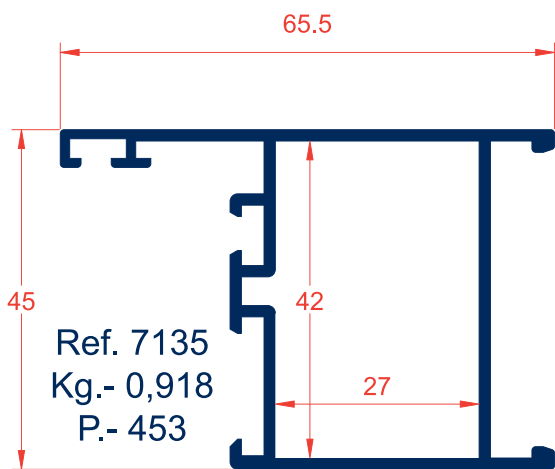
Ref. 7359
Kg.- 0,961
P.- 478



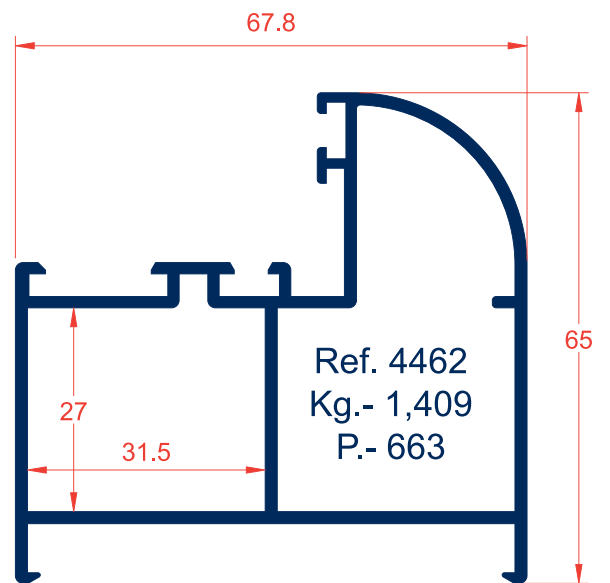
Ref. 7147
Kg.- 0,910
P.- 453



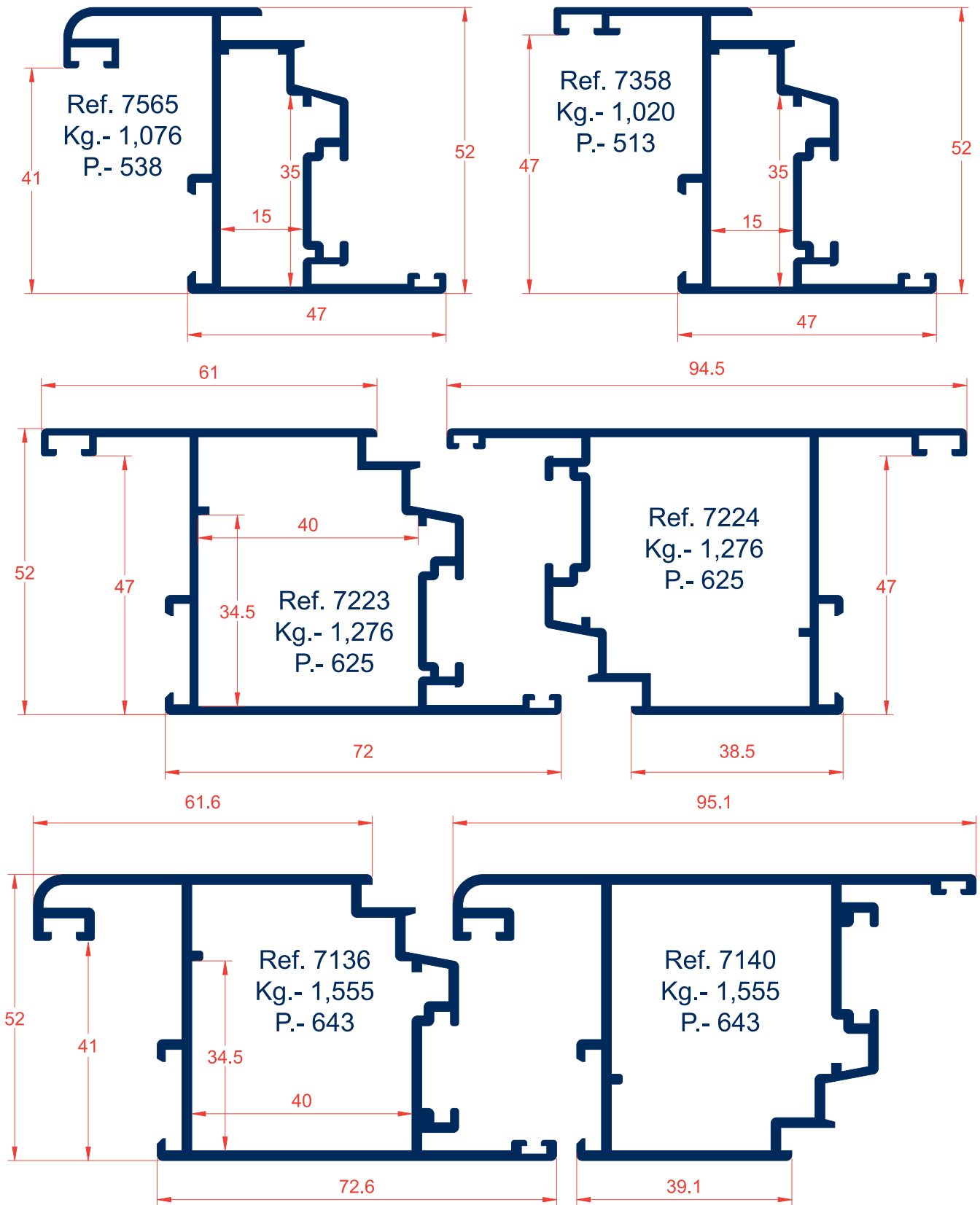
Ref. 11238
Kg.- 0,836
P.- 502

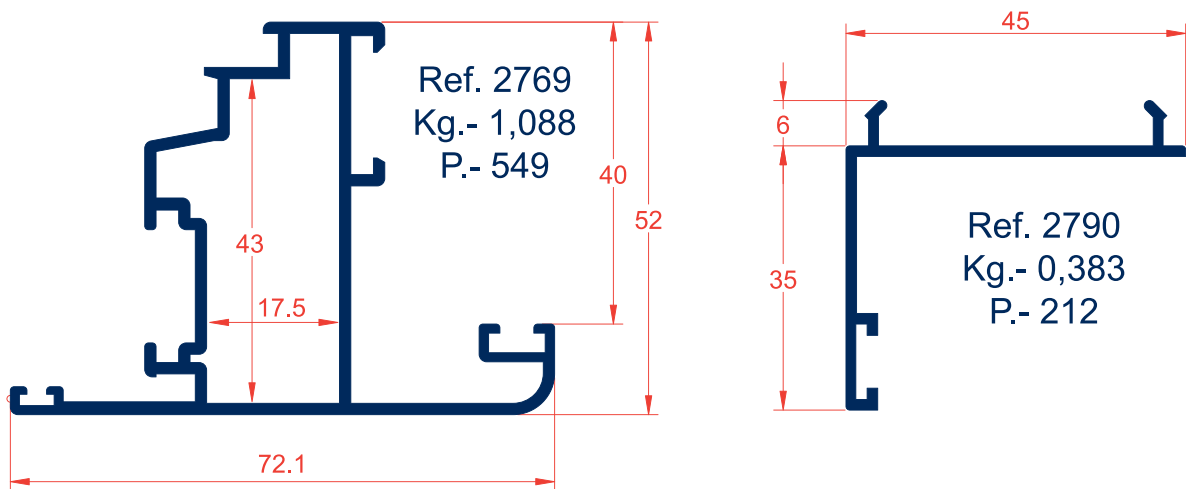
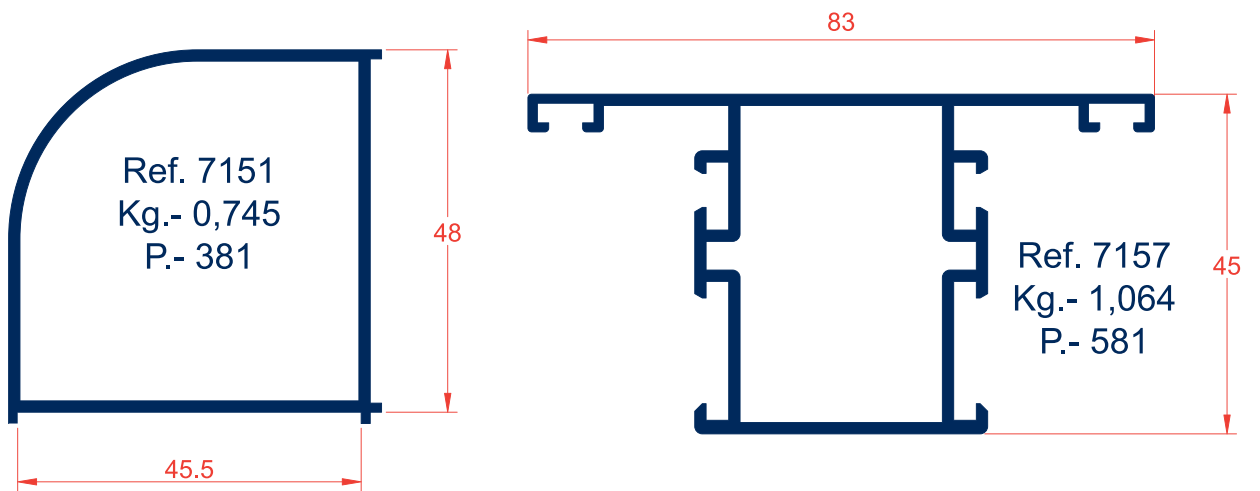
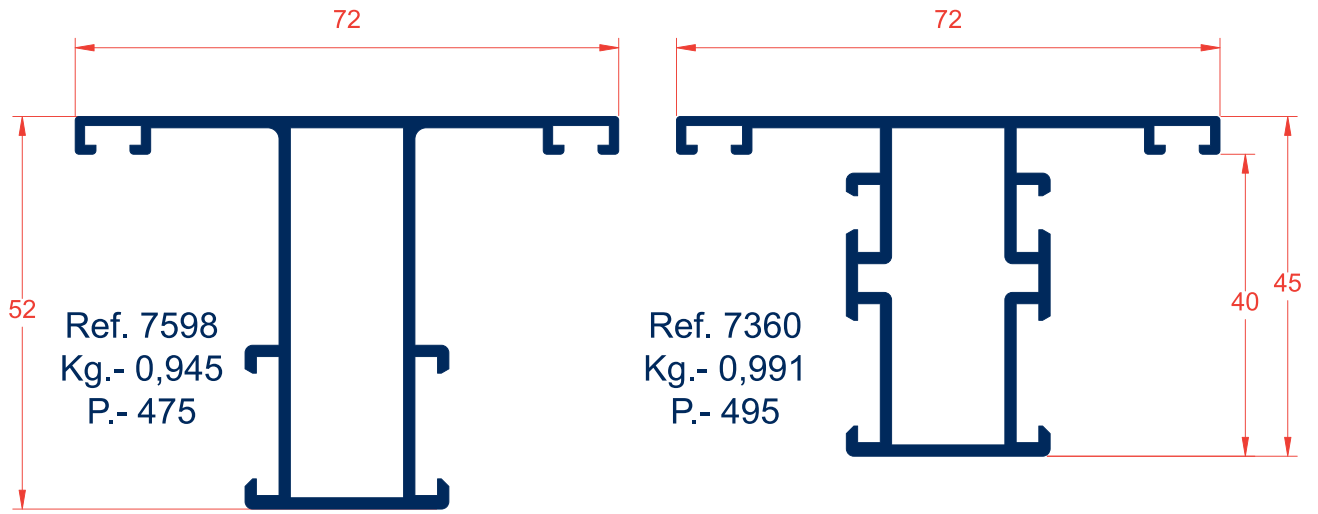


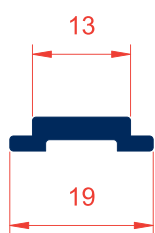
Ref. 7135
Kg.- 0,918
P.- 453



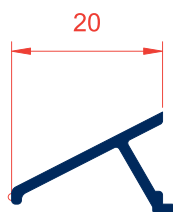
Ref. 4462
Kg.- 1,409
P.- 663





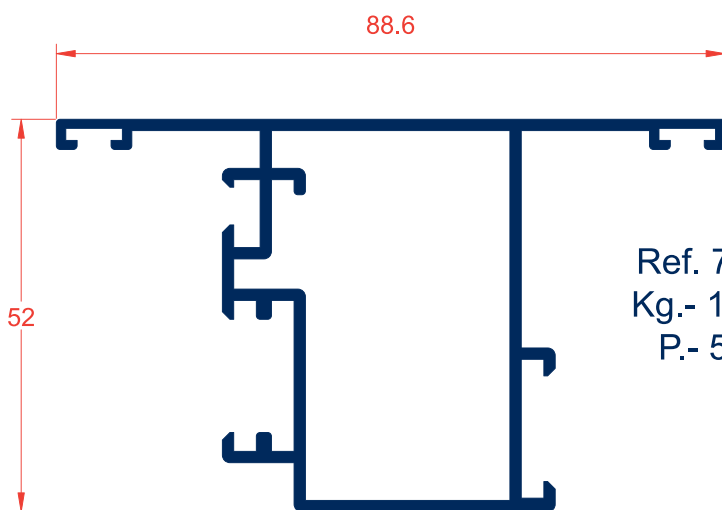


Ref. 7013
Kg.- 0,151
P.- 49

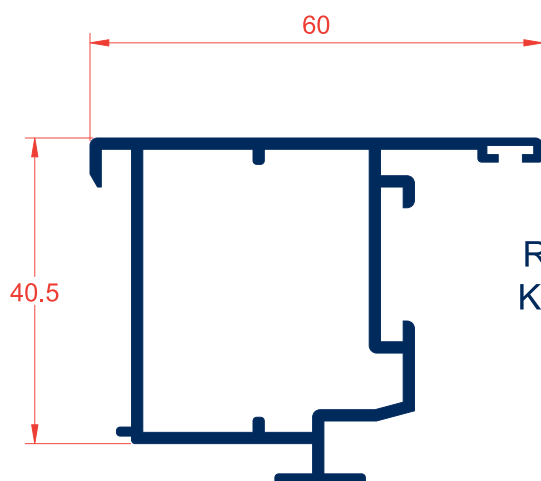


Ref. 7379
Kg.- 0,143
P.- 76

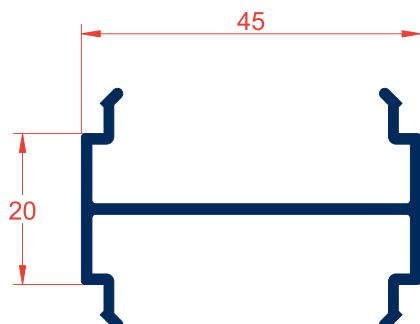
PIVOTANTE



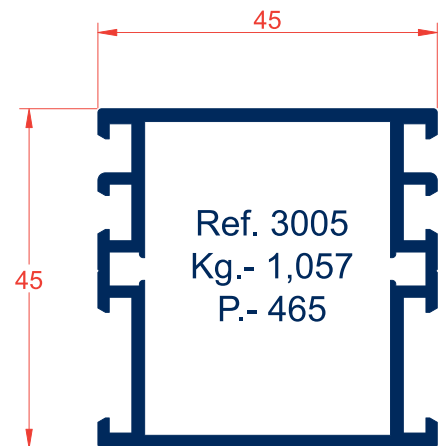
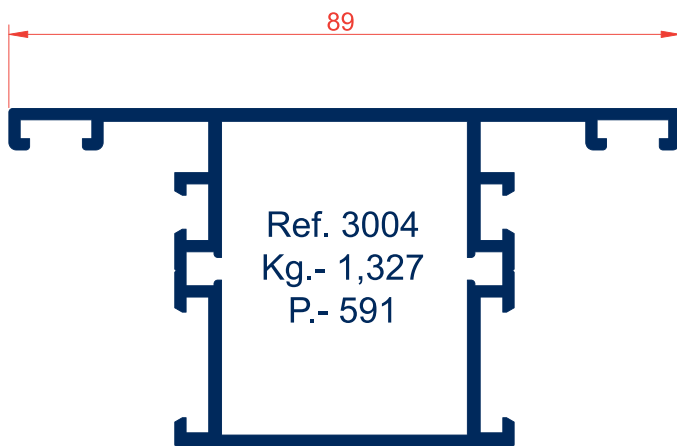
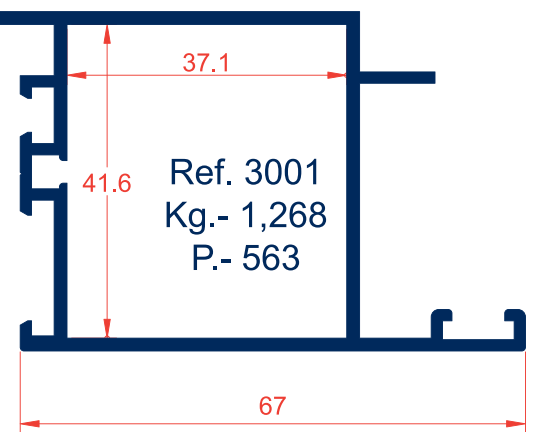
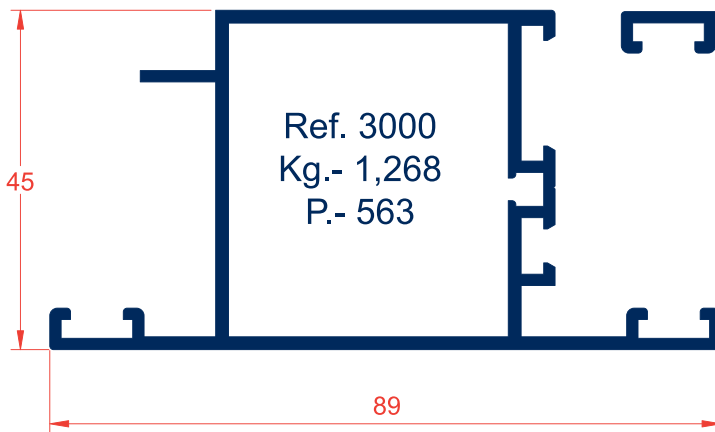
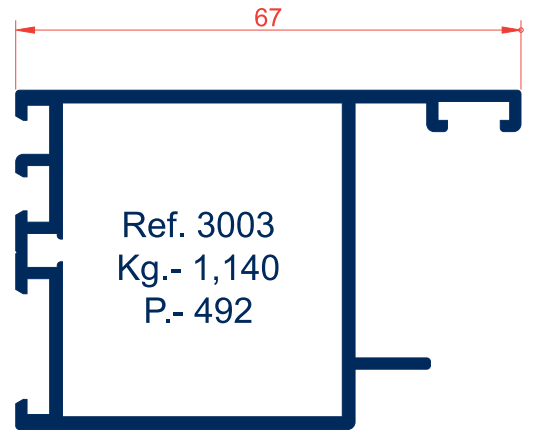
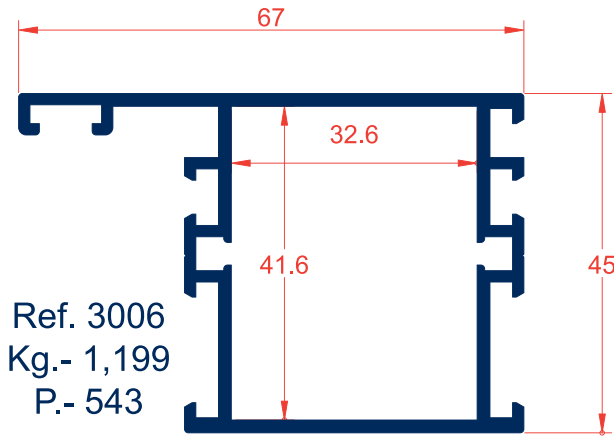
Ref. 7008
Kg.- 1,204
P.- 599

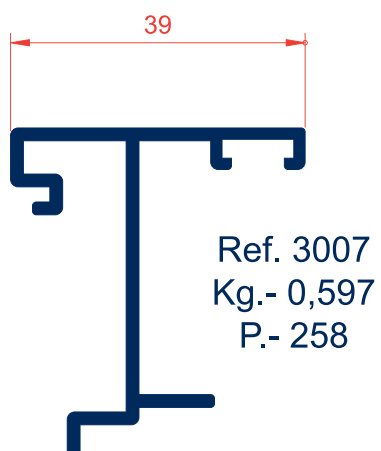
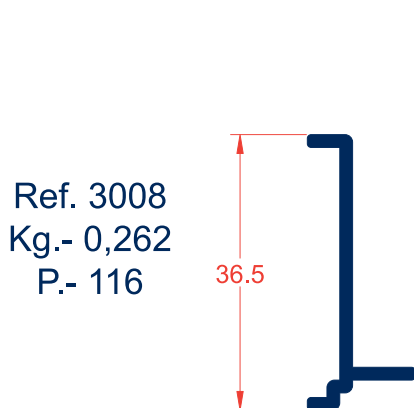
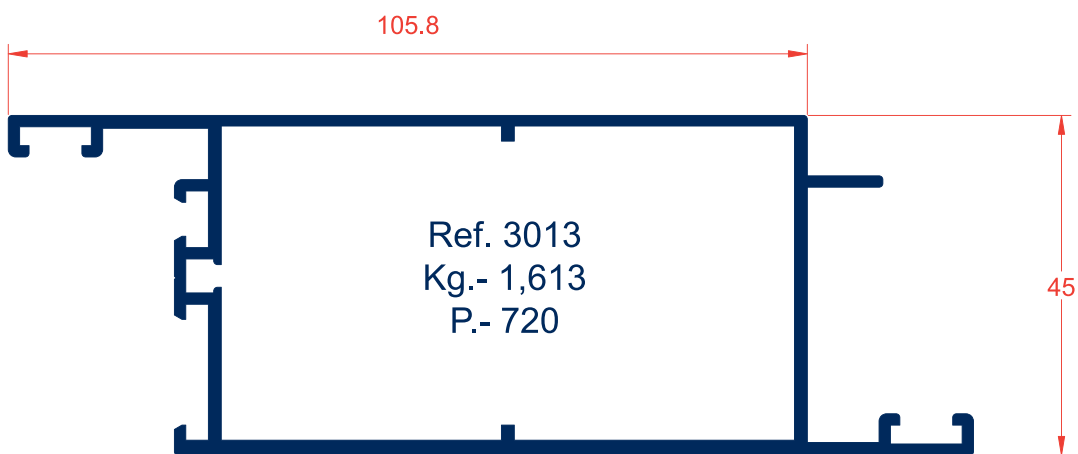
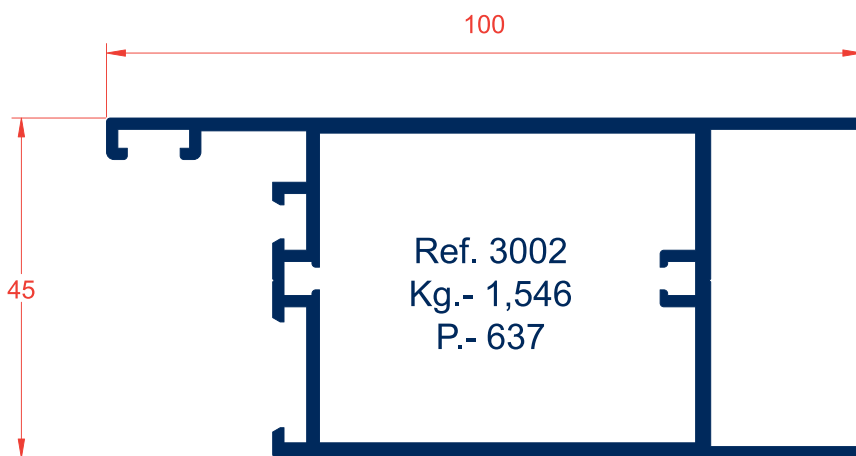


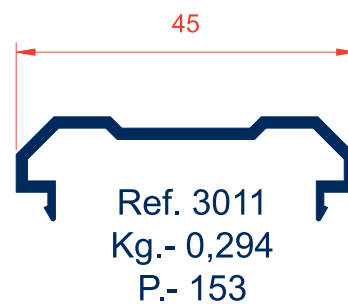
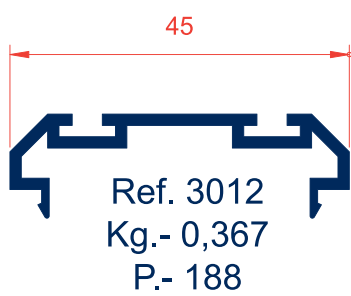
Ref. 7009
Kg.- 0,888
P.- 446

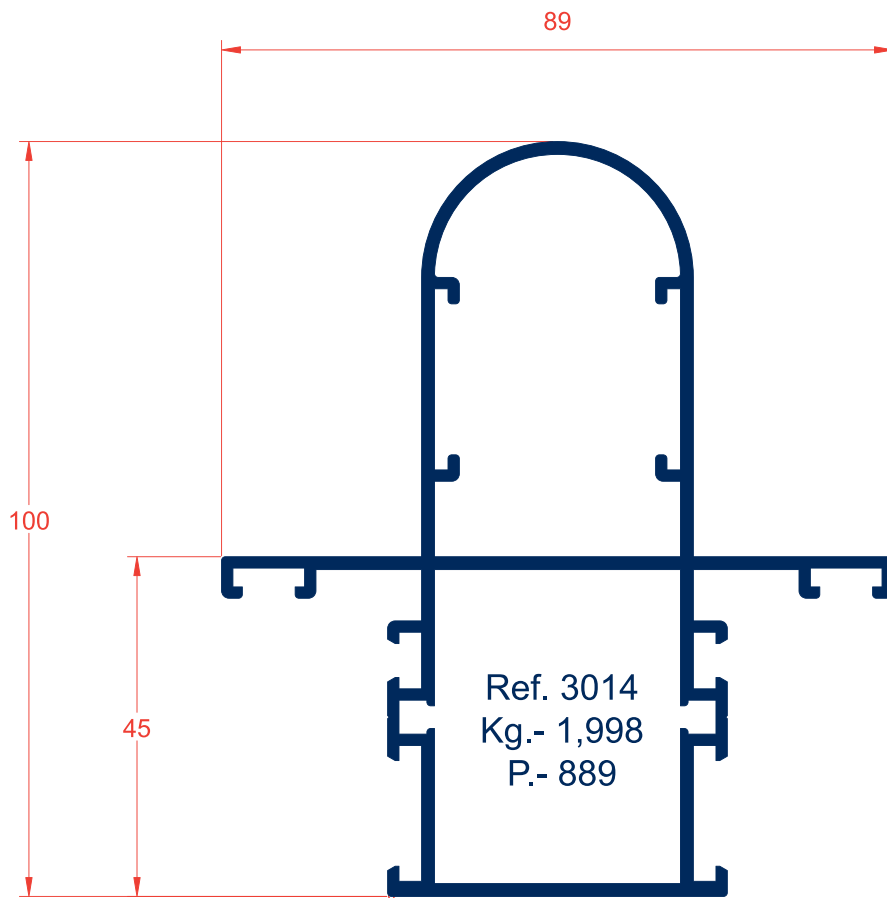






















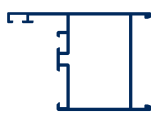
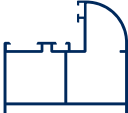



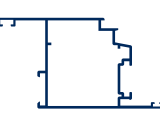
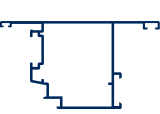
Ref. 4857
Kg.- 0,446
P.- 238

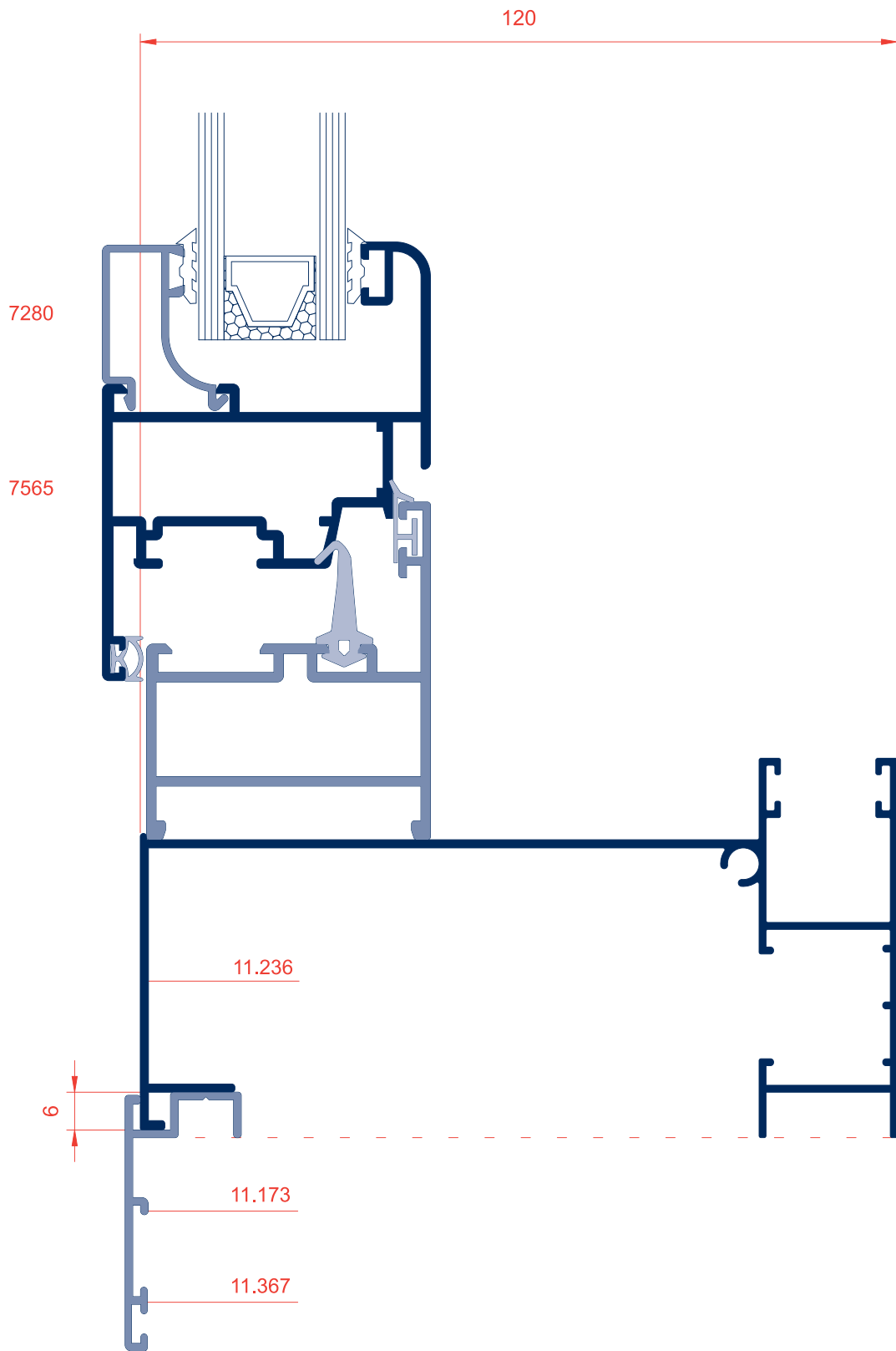


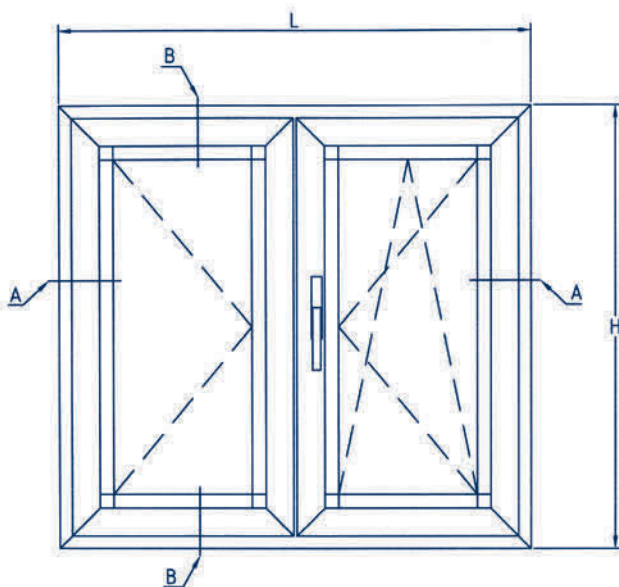
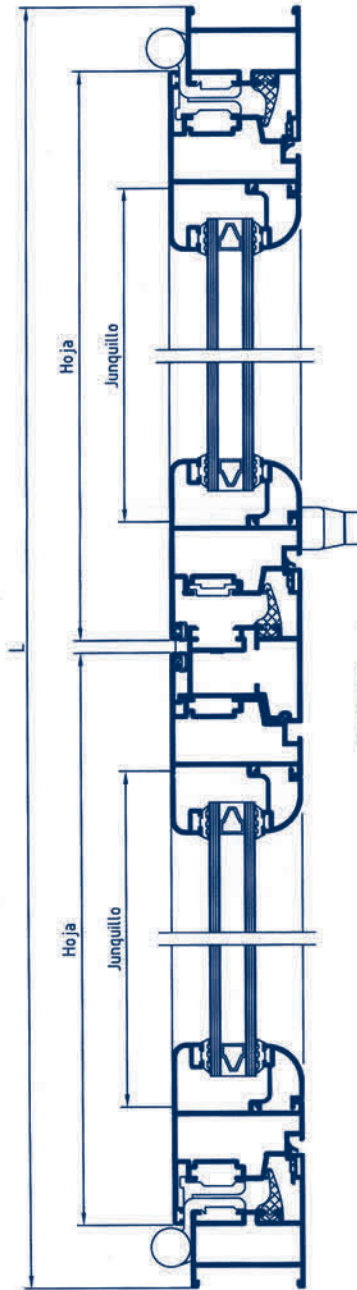
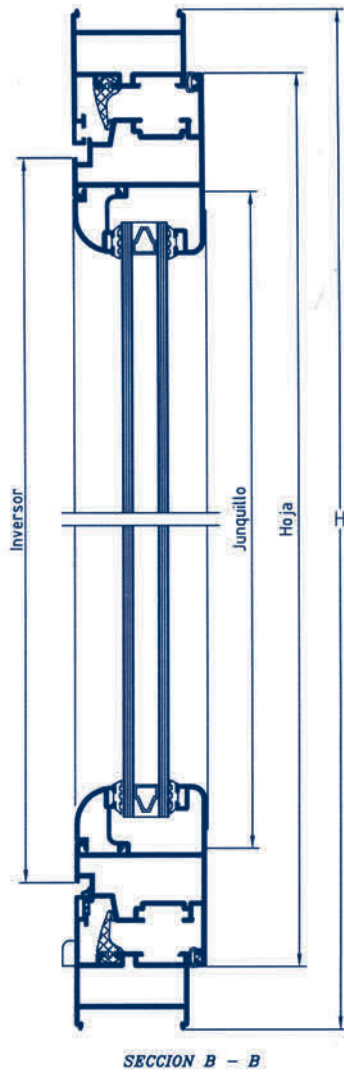




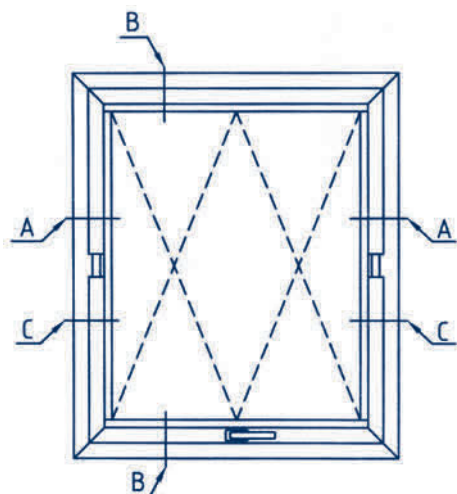
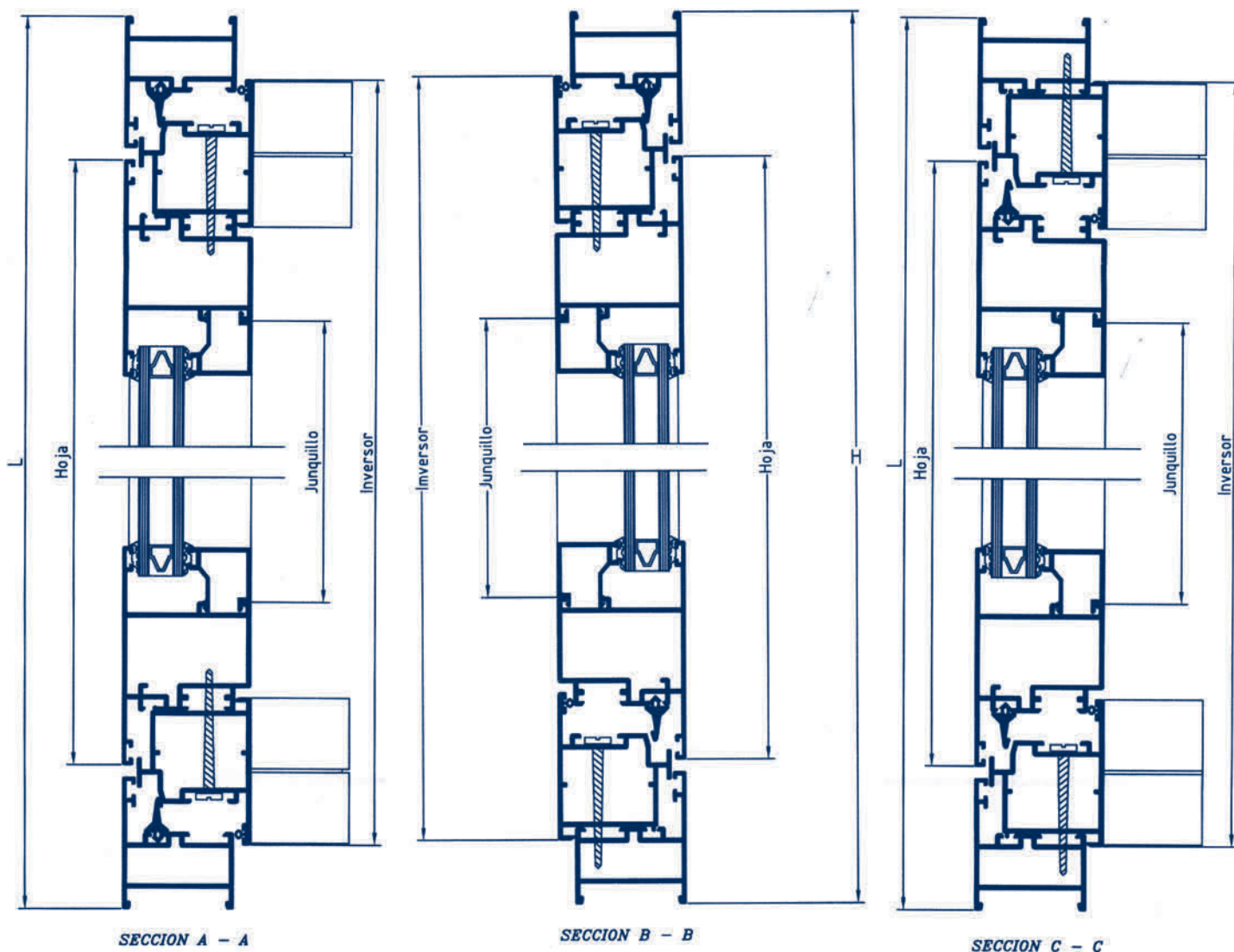


| | |  7637 |  7615 |  7613 |  7614 |  7504 |  7505 |
|---|---|---|---|--|---|---|---|
| | |  4284 |  7634 |  7525 |  7530 |  7724 |  7498 |
| |  11.285 |  7280 |  7671 |  7281 |  7282 |  7310 |  7361 |
|  11152 | 36 | 27 | 24 | 19 | 15 | 12 | 6.5 |
|  7135 | 36 | 27 | 24 | 19 | 15 | 12 | 6.5 |
|  4462 | 36 | 27 | 24 | 19 | 15 | 12 | 6.5 |
|  7147 | 36 | 27 | 24 | 19 | 15 | 12 | 6.5 |
|  7565 | 37 | 28 | 25 | 20 | 16 | 13 | 7.5 |
|  7358 | 43 | 34 | 31 | 26 | 22 | 19 | 13.5 |
|  7223 | 43 | 34 | 31 | 26 | 22 | 19 | 13.5 |
|  7224 | 43 | 34 | 31 | 26 | 22 | 19 | 13.5 |





| CROQUIS | REFERENCIA | DENOMINACION | Tipo de corte | Cantidad | Medida |
|---------|------------|--|---------------|----------|--------------------|
| | 7357 | Marco ventana | | 2 2 | L H |
| | 2769 | Hoja ventana apertura exterior | | 4 4 | L/2-27.7 H-50.4 |
| | 7359 | Inversor | | 1 | H-117.4 |
| | 7634 | Junquillo redondo hueco de 24 mm. | | 4 | H-149.6 |
| | 7615 | Junquillo redondo clip hueco de 24 mm. | | 4 | L/2-126.9 |
| | 7013 | Pletina cremona | | - | - |



| CROQUIS | REFERENCIA | DENOMINACION | Tipo de corte | Cantidad | Medida |
|---------|------------|-----------------|---------------|-------------------------------|-------------------------------|
| | 7357 | Marco ventana | | 2 2 | L H |
| | 7008 | Hoja | | 2 (A-A) 2 (B-B) 2 (C-C) | L-117.4 H-117.4 L-117.4 |
| | 7009 | Inversor | | 2 (A-A) 2 (B-B) 2 (C-C) | L-52 H/2-52 L-52 |
| | 7282 | Junquillo recto | | 2 (A-A) 2 (B-B) 2 (C-C) | L-249.6 H-249.6 L-249.6 |